



Science of Flight Workbook

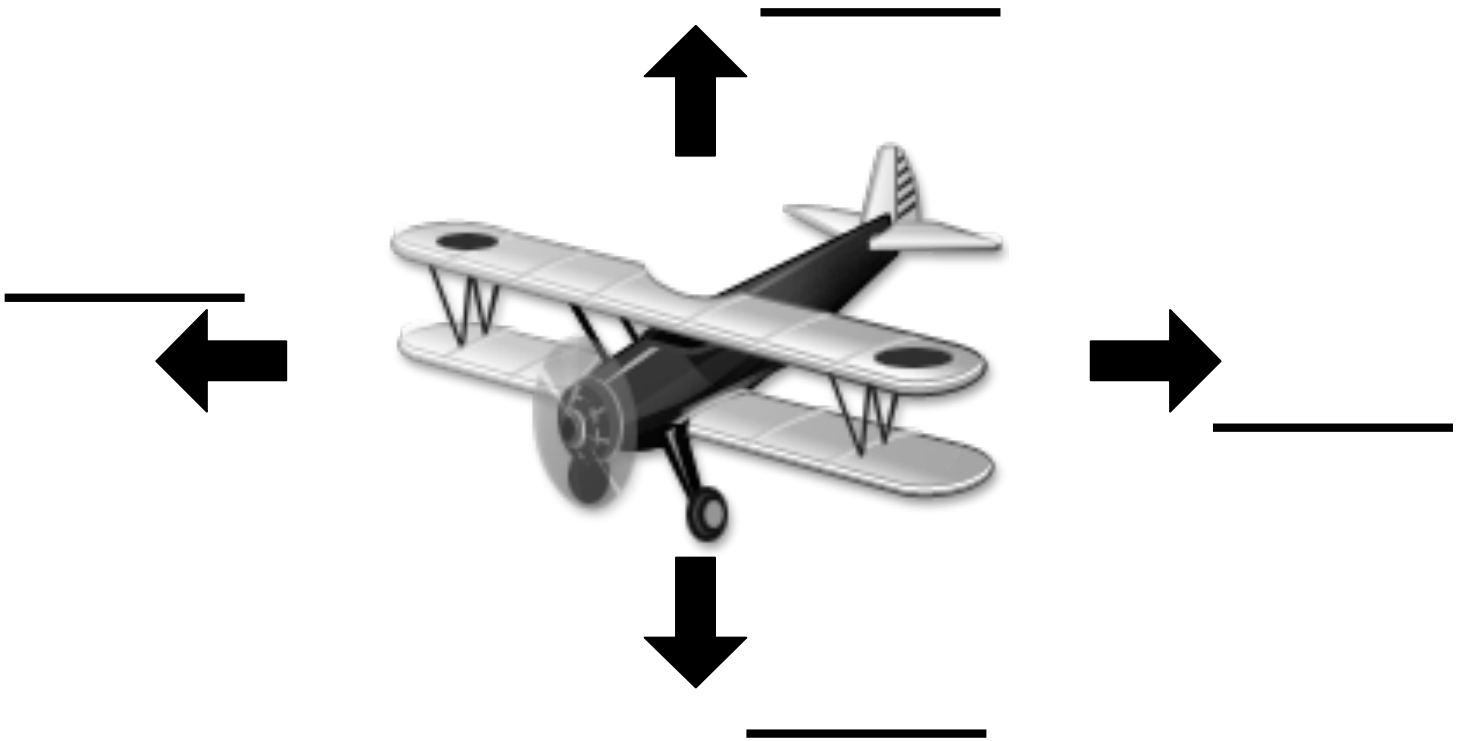
Name: _____

Class: _____

Mr. Zushma
Femme 5 / AEP

Part 1: Forces of Flight

Label the forces that act on an airplane during flight:



Define the four forces of flight:

1. Thrust - _____
2. Lift - _____
3. Weight - _____
4. Drag - _____

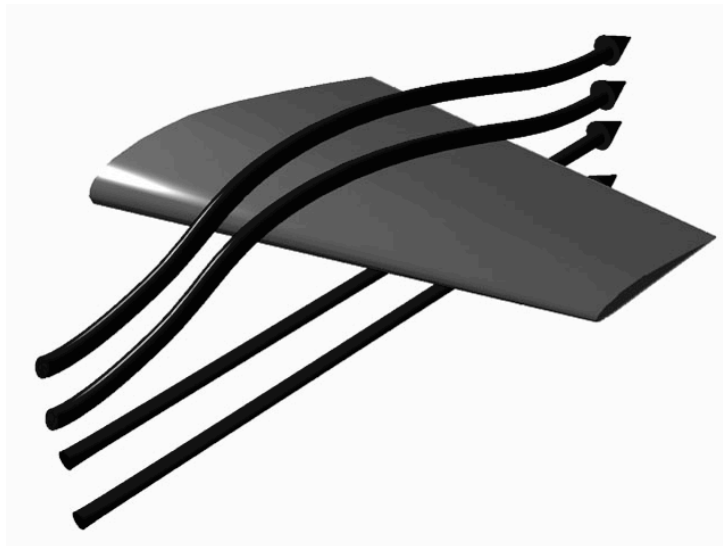
Part 2: It's All about LIFT

Define the Bernoulli Principle:-

Air Pressure at sea level is: _____

Why don't you feel the weight?

The shape of an airplane wing is called an airfoil.

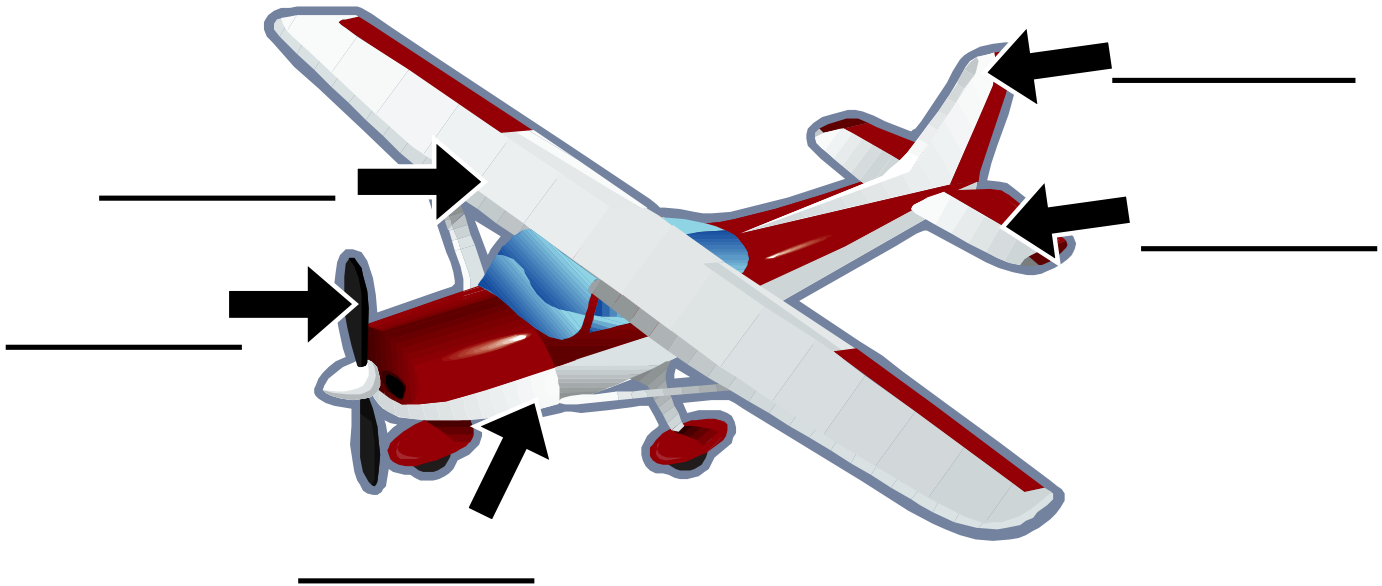


Explain how an AIRFOIL works:

Part 3: It's All About CONTROL

Define Control Surface:

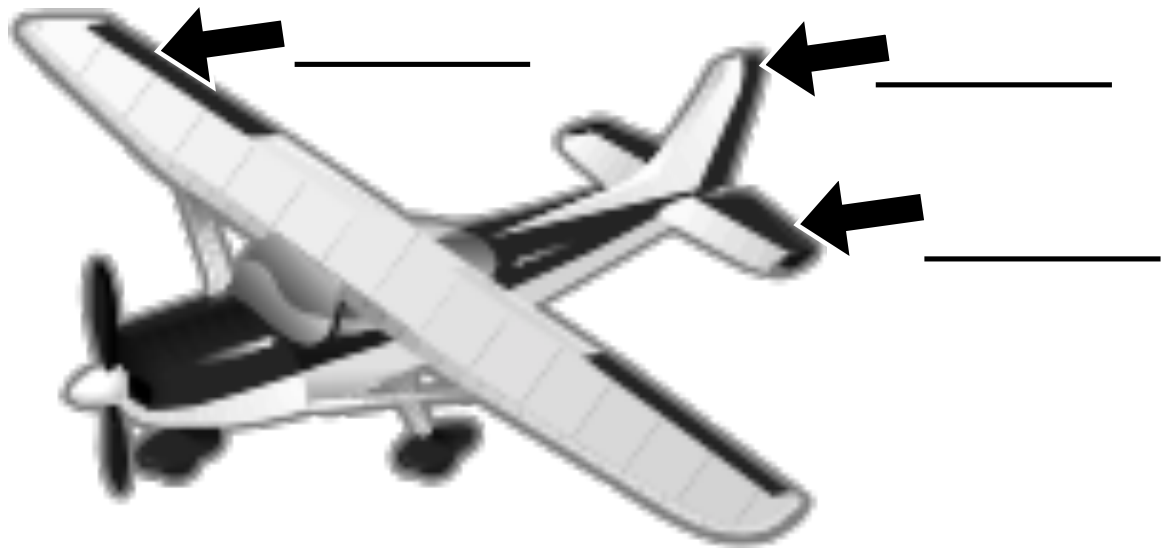
Label the main parts of an airplane:



Define the main parts of the airplane:

1. Propeller - _____
2. Fuselage - _____
3. Main Wing - _____
4. Horizontal Stabilizer - _____
5. Vertical Stabilizer - _____

Label the CONTROL SURFACES of the Airplane

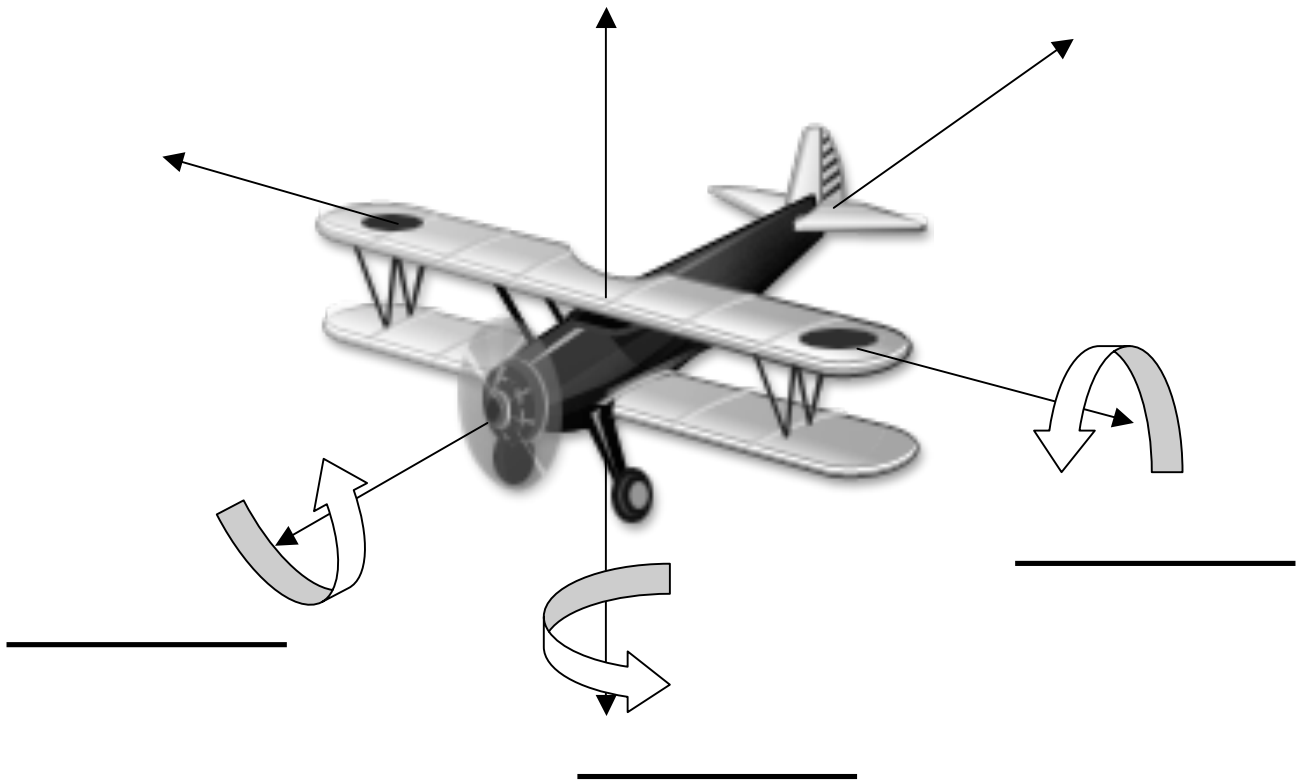


Define the CONTROL SURFACES of the airplane:

1. Aileron - _____
2. Rudder - _____
3. Elevator - _____

Part 4: Axis of Control

Label the four AXIS of Control for an airplane



Define the three AXIS of Control:

1. Roll - _____

2. Yaw - _____

3. Pitch - _____