



# Rocket Design Workbook

Name: \_\_\_\_\_

Class: \_\_\_\_\_

Mr. Zushma  
Femme 5 / AEP

You are about to bring all you know about flight and rocketry together in the designing and building of your own rocket. You are going to use what you know to design a rocket that flies well. Now you need to make it look good as well.

In the space below, there are three identical plain rockets. It is your job to give each rocket a theme, a color scheme and a design. Each design should be neat and in full color.

## Brainstorm Ideas:

Design #1

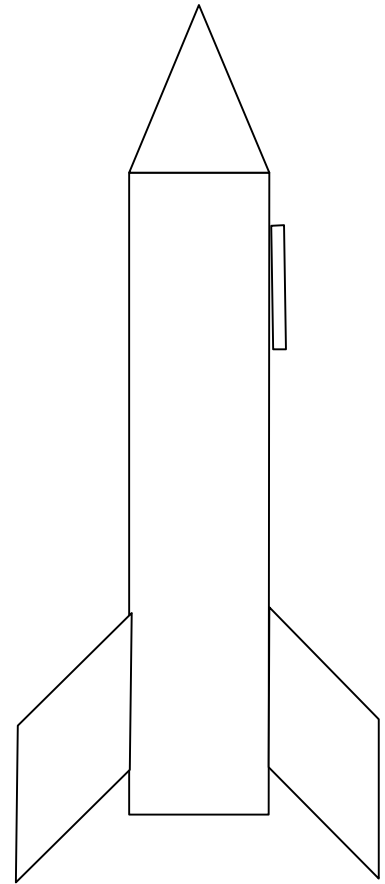
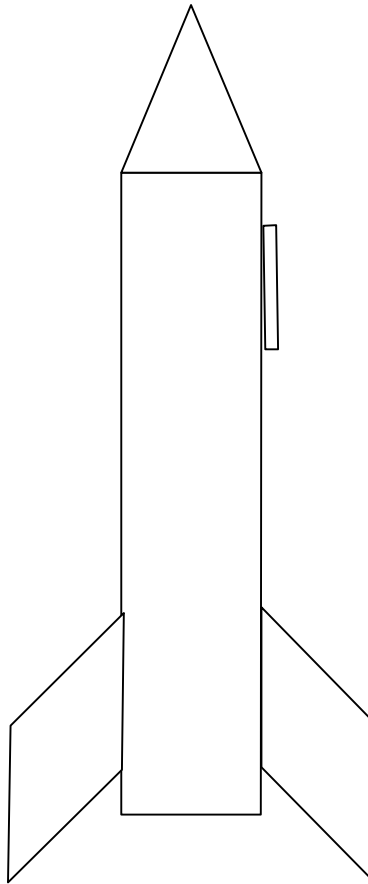
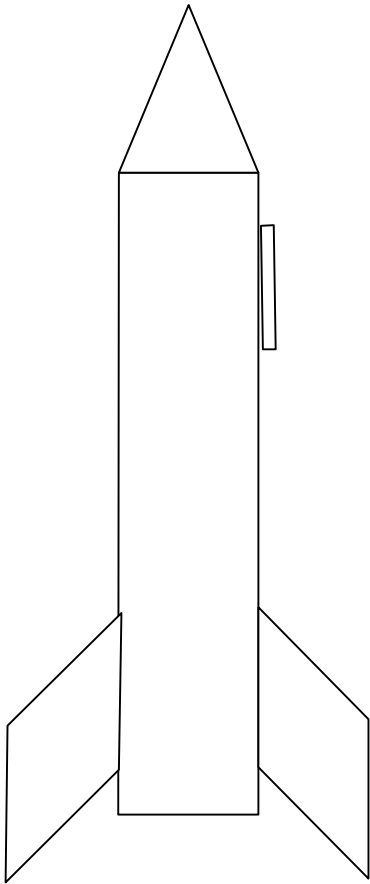
Theme: \_\_\_\_\_

Design #2

Theme: \_\_\_\_\_

Design #3

Theme: \_\_\_\_\_





# **Rocket Design Rubric**

## *Brainstormed Ideas (50 Points)*

	<i>Points Earned</i>			
Clearly Drawn	0	5	10	20
Defined Theme	0	2	5	10
Complimentary Colors	0	2	5	10
Variation of Ideas	0	2	5	10
Total Brainstorm Points _____				

## *Final Solution (30 Points)*

	<i>Points Earned</i>			
Clearly Drawn	0	5	10	15
Defined Theme	0	2	5	10
Complimentary Colors	0	2	3	5
Total Final Solution Points _____				

## *Final Design Explanation (20 Points)*

	<i>Points Earned</i>			
Well thought out/planed	0	2	3	5
Clearly Written	0	2	3	5
Proper Grammar	0	2	3	5
Reflects information on Patch	0	2	3	5
Total Explanation Point _____				

**Total Points Earned \_\_\_\_\_ / 100**